

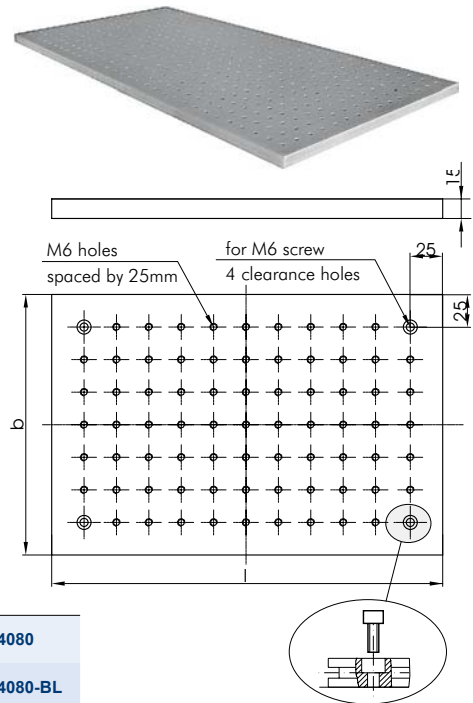
**715**

**ALUMINIUM BREADBOARDS**

- Thickness 15 mm
- M6 tapped holes pattern on 25 mm centres
- Clear and black anodized

Model	b, mm	l, mm	Thickness, mm	Weight, kg	Price, EUR
715-1515-BL	150	150	15	0.95	62
715-2020-BL	200	200	15	1.7	114
715-2040-BL	200	400	15	3.4	140
715-3030-BL	300	300	15	3.8	142
715-3045-BL	300	450	15	5.7	184
715-3060-BL	300	600	15	7.6	248
715-4080-BL	400	800	15	13.5	483
715-4545-BL	450	450	15	8.5	285
715-4560-BL	450	600	15	11.35	338
715-4575-BL	450	750	15	14.2	369
715-6060-BL	600	600	15	15.2	433
715-6080-BL	600	800	15	20.1	530
715-7575-BL	750	750	15	23.6	630
715-8080-BL	800	800	15	26.9	906

EKSMA OPTICS does not apply distributor discount for these products.



Custom sizes are available on request.

Ordering information

NOT anodized breadboard of size 400×800×15 mm	<b>715-4080</b>
Black anodized breadboard of size 400×800×15 mm	<b>715-4080-BL</b>

**716**

**SOLID STEEL BREADBOARD**



716-2040

- Length 400 mm; width 200 mm
- Thickness 15 mm
- M6 tapped holes pattern on 25 mm centres
- Flatness  $\pm 0.03$  mm
- Ferromagnetic steel

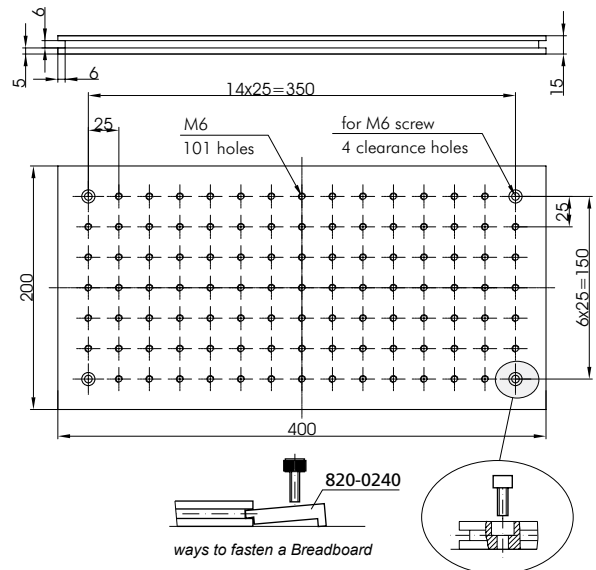
**Solid Steel Breadboard** is an alternative to the honeycomb table tops. It is particularly useful in small optical setups.

716-2040 is a steel plate, of one size. The plate is black chemically oxidized.

The breadboards has grooves on all 4 sides, for quick mounting using Table Clamps 820-0240. On the corners there are 4 holes for M6 screw used to mount directly to tables or to fix at a certain height on Silent Rods 795-0010.

Code	Weight, kg	Price, EUR
<b>716-2040</b>	8.9	117

EKSMA OPTICS does not apply distributor discount for these products.



Complementary Products

Code	Page
<b>795-0010</b>	8.32
<b>820-0240</b>	8.43



716-2040 mounted on Silent Rods 795-0010